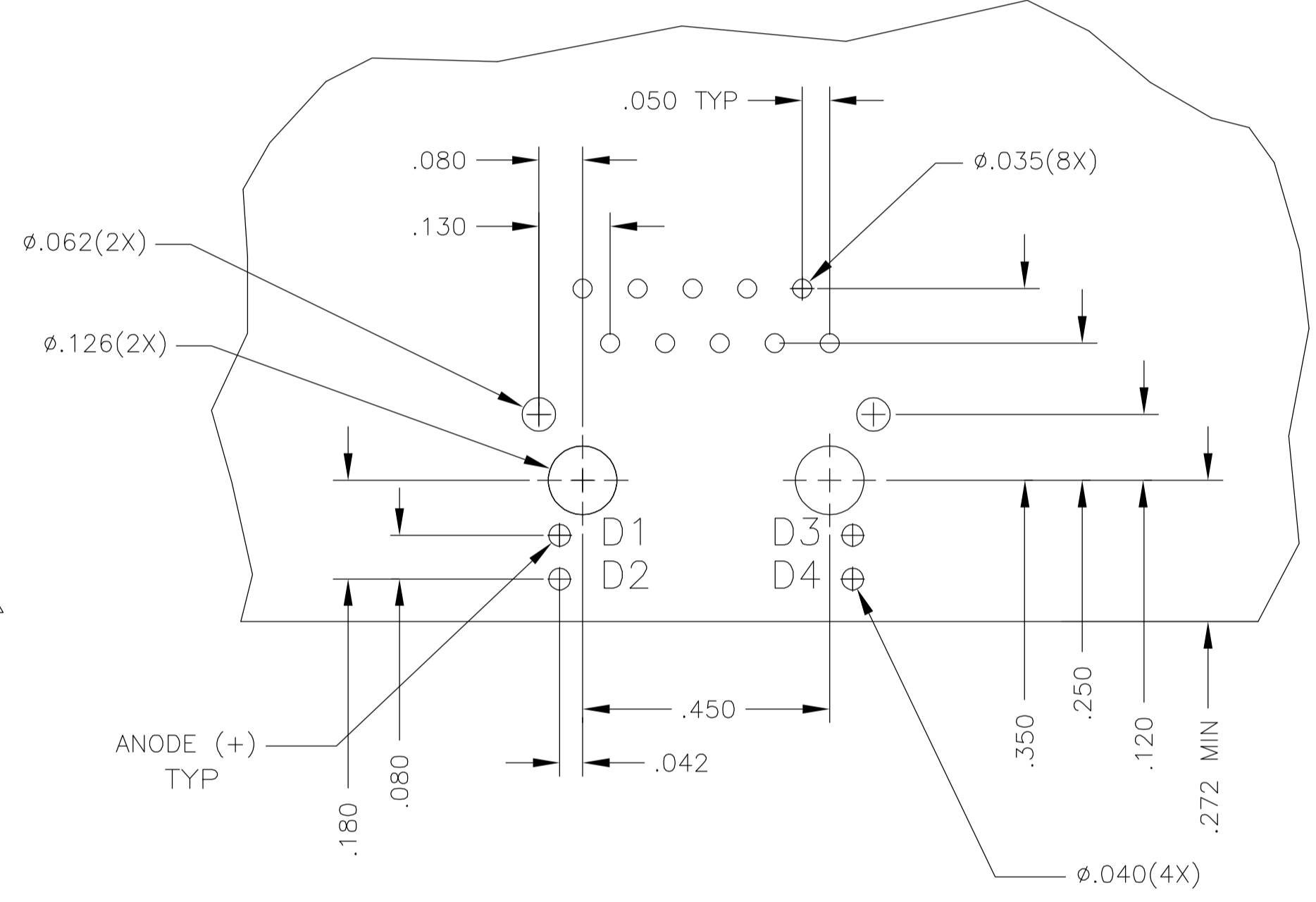
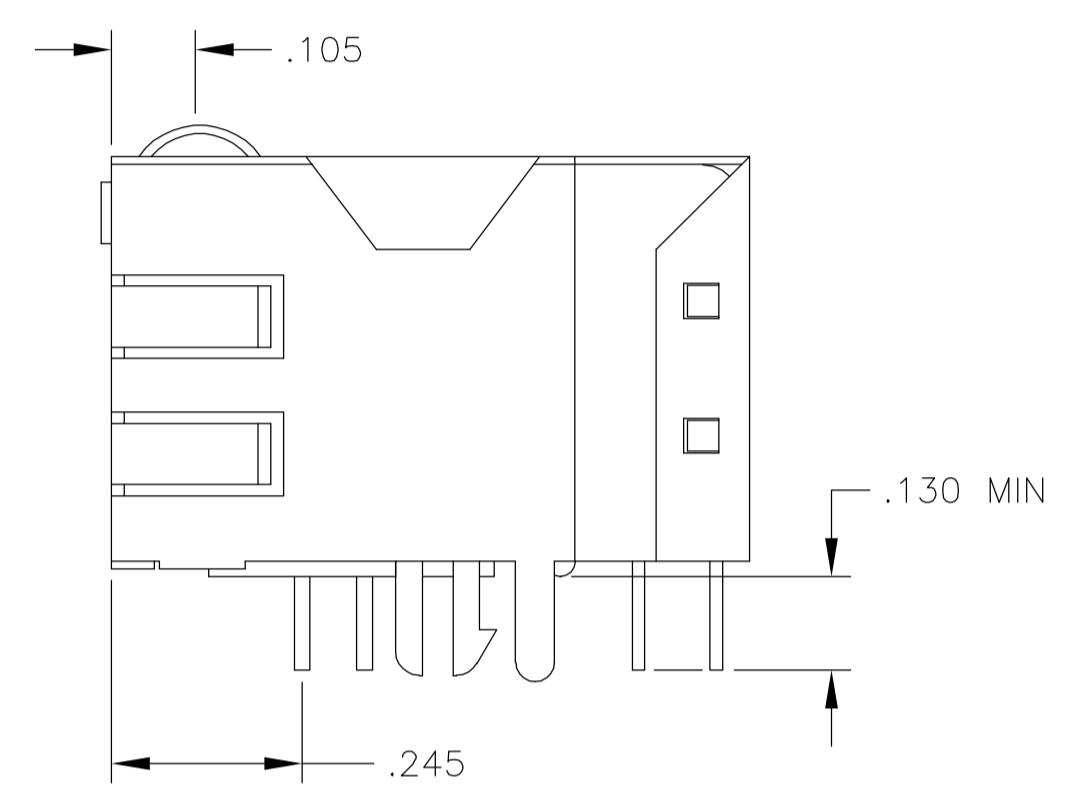
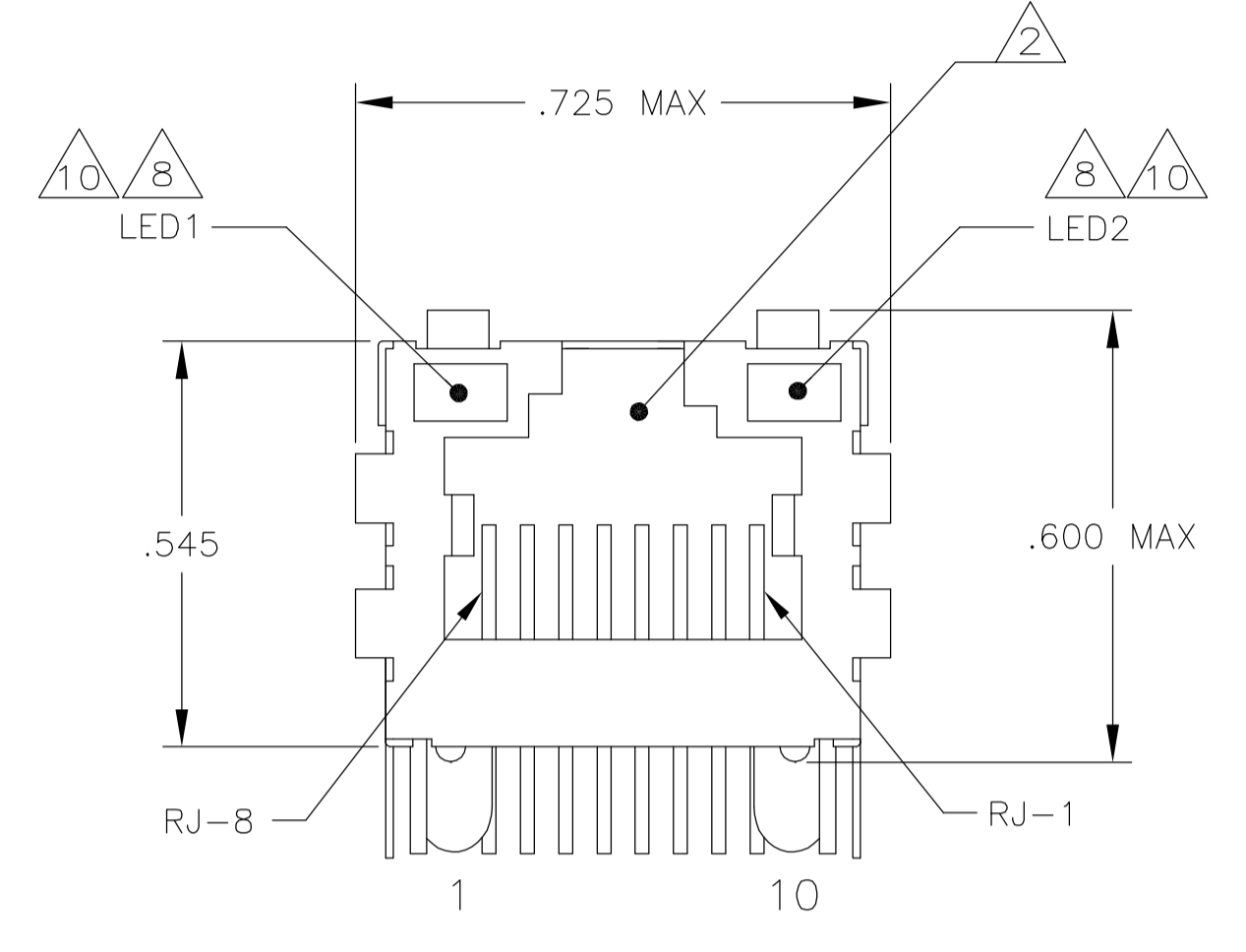
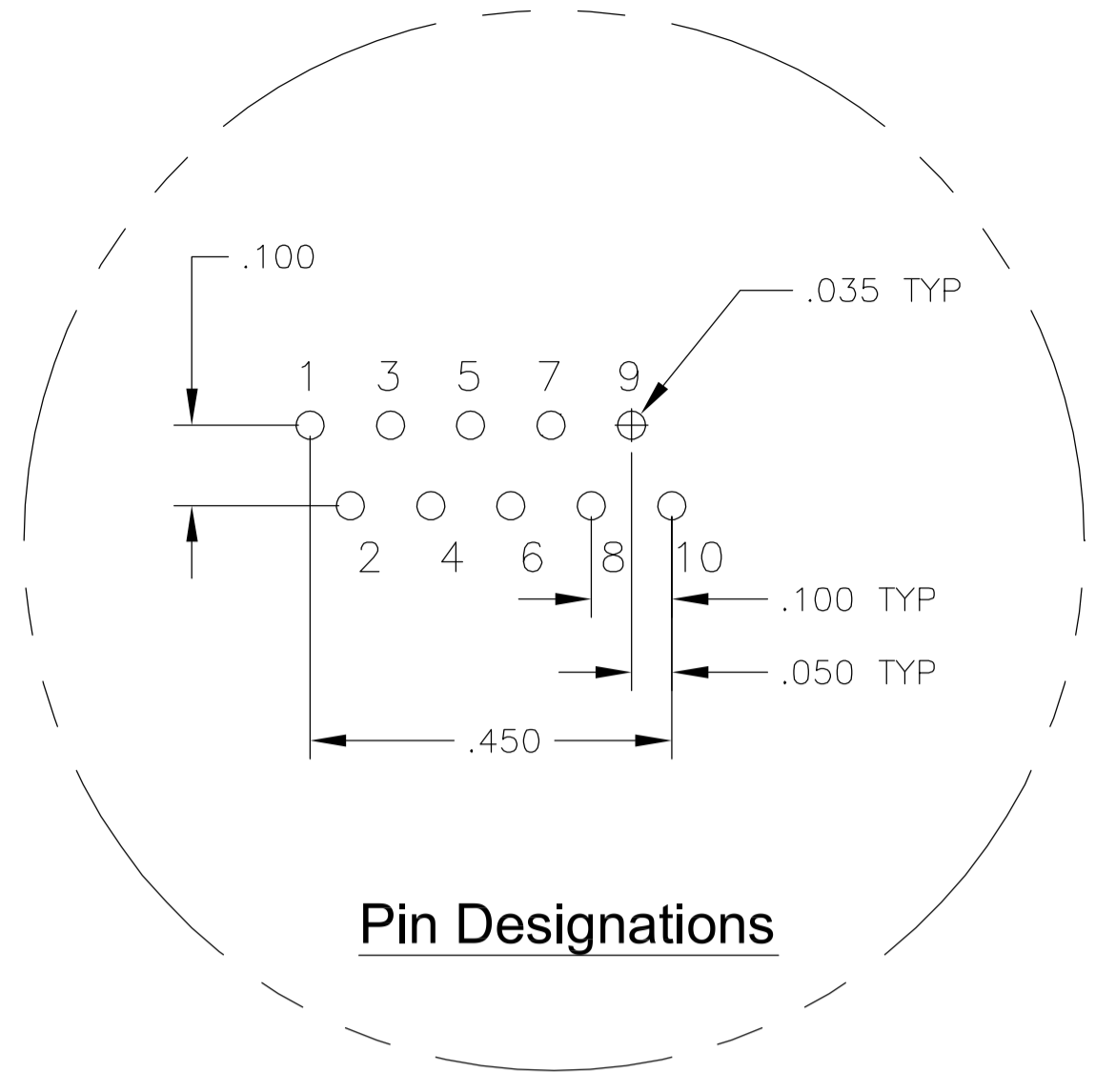
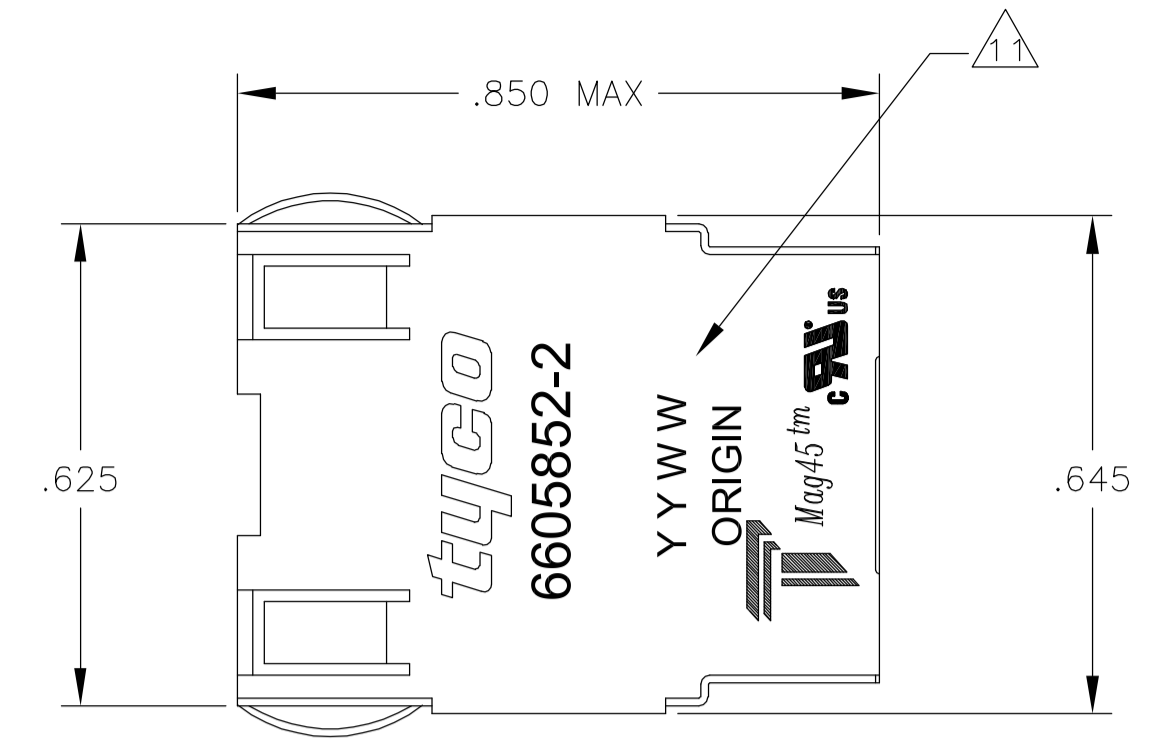


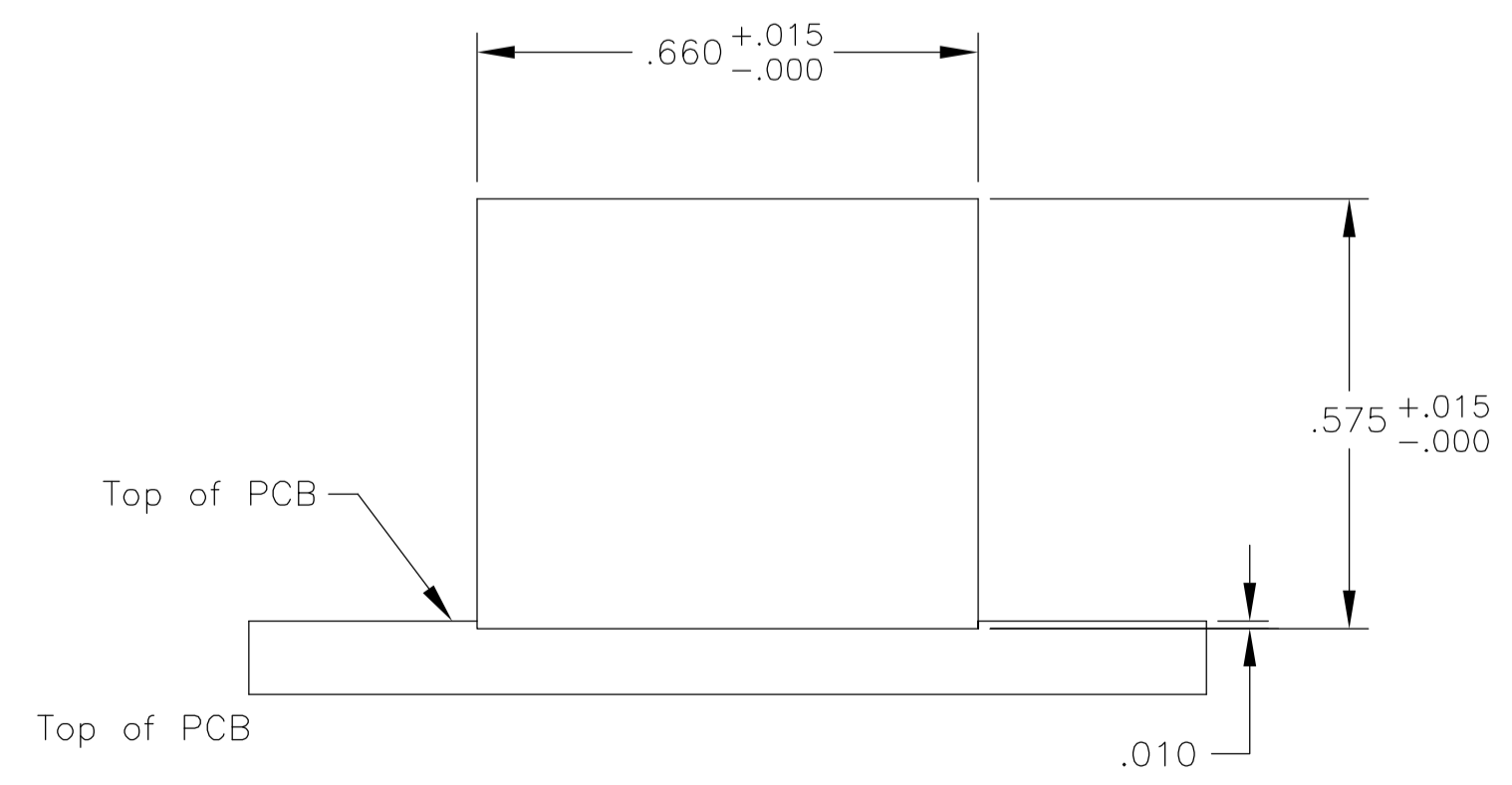
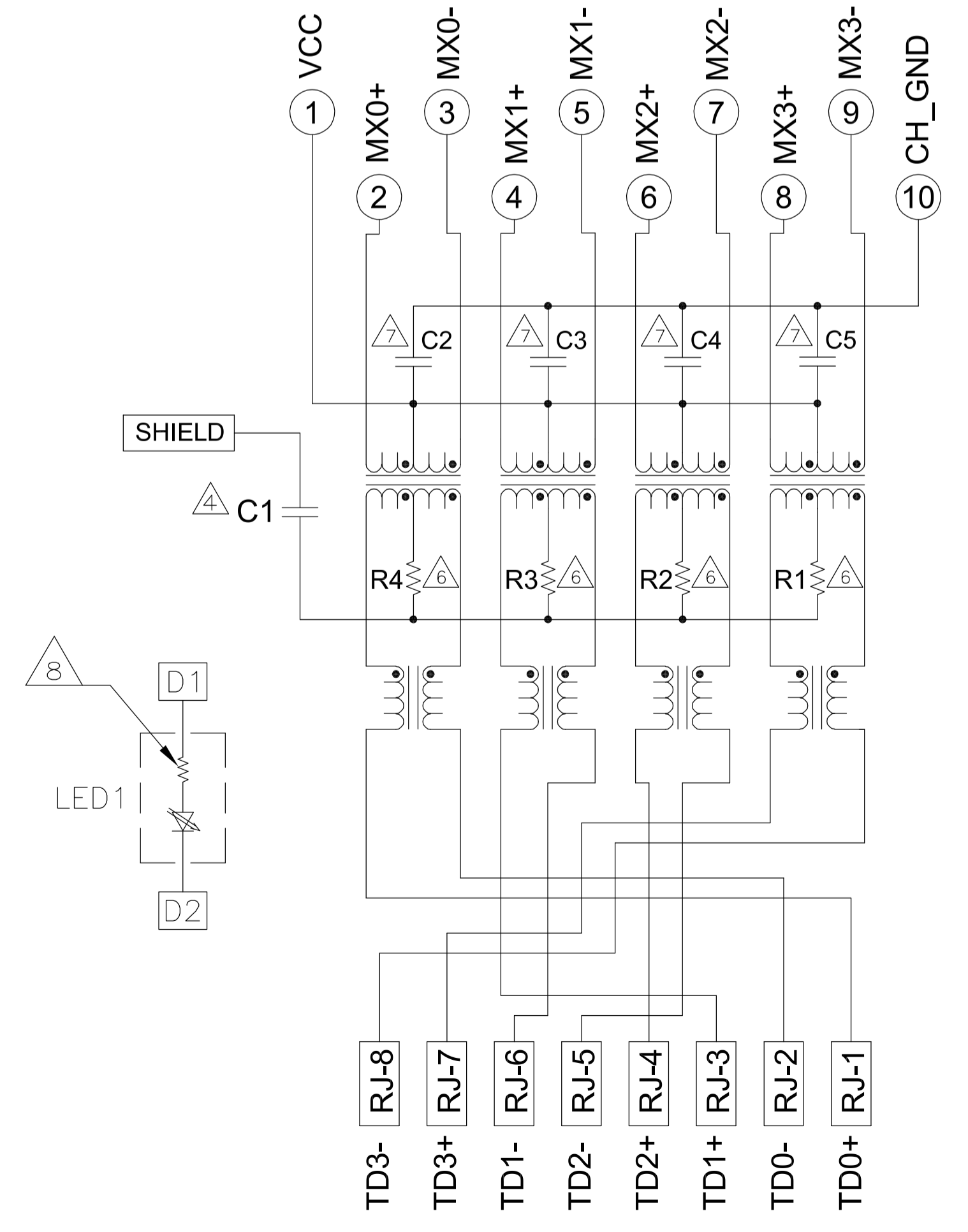
MECHANICAL:



**Suggested PCB Layout
(Component Side)**

ELECTRICAL:

7G06P1 GIGABIT MAGNETIC CIRCUIT



Suggested Panel Cutout

- ⚠️ **MATERIALS:**
 - HOUSING - THERMOPLASTIC PET POLYESTER FLAMMABILITY RATING UL 94V-0.
 - SHIELD - .010" THICK, C26800 BRASS PREPLATED WITH 30μINCH MIN SEMI-BRIGHT NICKEL, SOLDER TABS POST DIPPED WITH 100μINCH MIN SAC SOLDER.
 - MOD JACK CONTACTS - 0.0157" x 0.018" PHOSPHOR BRONZE, 50μINCH MIN OVERALL NICKEL UNDERPLATE, WITH SELECT 50μINCH MIN HARD GOLD FINISH PLATE. SOLDER TAILS WITH 100μINCH MIN MATTE TIN AND/OR SAC SOLDER DIP.
 - LIGHT EMITTING DIODE(LED) - DIFFUSED EPOXY LENS, .020" x .020" CARBON STEEL WIREFRAME LEADS PRE-PLATED WITH 80μINCH SILVER OVER 40μINCH NICKEL UNDERPLATE OVER 40μINCH COPPER UNDERPLATE, POST-PLATED WITH 100μINCH MIN MATTE TIN AND/OR SAC SOLDER DIP OR PURE TIN SOLDER DIP.
- ⚠️ RJ45 JACK CAVITY CONFORMS TO FCC RULES AND REGULATIONS PART 68, SUB PART F.
- ⚠️ **MAGNETICS**
 - IMPEDANCE: 100 OHMS
 - TURNS RATIO (CHIP-CABLE): 1:1 ALL FOUR PAIRS
 - OPEN CIRCUIT INDUCTANCE (OCL): 350μH MIN @100kHz, 0.1VRMS, 8mA DC BIAS FROM 0°C TO 70°C, ALL FOUR PAIRS
 - ALL FOUR PAIRS BI-DIRECTIONAL
 - PERFORMANCE @ 25°C:
 - INSERTION LOSS (IL): 1.1dB MAX FROM 0.5MHZ TO 100MHZ
 - RETURN LOSS (RL): 18dB MIN FROM 0.5MHZ TO 40MHZ
 - 12-20LOG(f/80)dB MIN FROM 40.1MHZ TO 100MHZ
 - CROSSTALK ATTENUATION: 35dB MIN FROM 0.5MHZ TO 40MHZ
 - 33-20*LOG(f/50)dB MIN FROM 40.1MHZ TO 100MHZ
 - COMMON MODE REJECTION RATIO (CMRR): 30dB MIN FROM 0.5MHZ TO 100MHZ
 - ISOLATION VOLTAGE: COMPLIES WITH IEEE802.3 2002, PARA 40.6.1.1, ITEM a or b
- ⚠️ C1 IS A 1000 pF, 2kV DECOUPLING CAPACITOR.
- 5. OPERATING TEMPERATURE: FROM 0° - +70°C.
- ⚠️ R1-R4 = 75 OHMS, 1/16 W, 5% RESISTORS.
- ⚠️ C2-C5 = 0.1μF, 10%, 50V, X7R CAPACITORS.
- ⚠️ LED COMPLIANT WITH IEC60825-1 SAFETY OF LASER PRODUCTS. WHEN OPERATED UP TO 20 mA. THE 250 OHM RESISTOR IS INCLUDED IN THE LEDS.
- ⚠️ THE MAGNETICS ARE SYMMETRICAL, AND SUPPORTS AUTO-MDI/MDIX.
- ⚠️ LED PEAK WAVELENGTH: GREEN(λ) = 565nm
YELLOW(λ) = 585nm
- ⚠️ TRADEMARK, PART NUMBER, DATE CODE, COUNTRY OF ORIGIN AND AGENCY APPROVAL MARKING IN APPROXIMATE LOCATION SHOWN.

THIS DRAWING IS A CONTROLLED DOCUMENT.		DWN: L. VARELA - DOCKS CHK: D. FAROLE		Tyco Electronics Corporation Harrisburg, PA 17105-3608	
DIMENSIONS: INCHES		TOLERANCES UNLESS OTHERWISE SPECIFIED:		NAME: D. FAROLE	
0 PLC	± .010	1 PLC	± .010	PRODUCT SPEC: 108-2100	
2 PLC	± .005	3 PLC	± .005	APPLICATION SPEC: -	
4 PLC	± .005	ANGLES: ± .005		SIZE: A1	CAGE CODE: 00779
MATERIAL: 1		FINISH: 1		DRAWING NO: 6605852	
CUSTOMER DRAWING		SCALE: 4:1		SHEET: 1 OF 1	
GREEN		GREEN		1-6605852-1	
YELLOW		GREEN		6605852-2	
LED1		LED2		PART NUMBER	